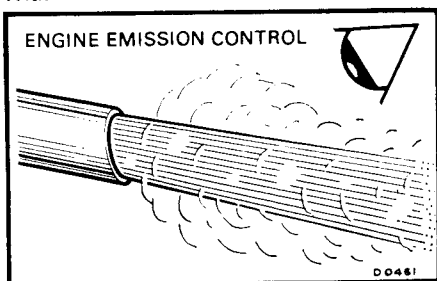


MGB

TOURER (*GHN 5 and GHN 4*)
and **GT** (*GHD 5 and GHD 4*)

With



Handbook

Publication Part No. AKD 7059 E



British Leyland (Austin-Morris) Limited
Longbridge, Birmingham, England

© BRITISH LEYLAND MOTOR CORPORATION LIMITED, 1970

HOODS (Soft tops) It is most important that the instructions given for raising, lowering, and folding the hood are followed. Do not use undue force on the hood frame-members. Do not fold or stow when it is wet or damp.

Standard hood **Removing.** Release the press studs on the windscreen frame and hood hinge frame-members (see Fig. 4). Move the sun visors to one side. Open the toggle catches on the windscreen rail (inset, Fig. 4).

Release the four fasteners from each rear quarter panel, and pull each hood quarter-light slightly forward to disengage the retaining clips from the sockets on the body side panels (Fig. 5). Slide the rear edge of the hood backwards to clear the slotted anchor plates on the tonneau panel and lift the hood from its frame.

Lay the hood on the luggage compartment lid (the inside linings upwards) and fold the back-light and quarter-lights as shown (Fig. 6). Carefully roll up the hood commencing at the back-light. Close the hood frame, lift it from the support sockets and separate the two halves.

Place the hood and frame in their respective stowage bags and stow in the luggage compartment (see Fig. 12).

Fitting. Assemble the frame and mount it in the support sockets with the highest stick to the front, then pull the front stick forward (Fig. 7). Unfold the hood and lay it over the frame. Engage the rear edge of the hood with the slotted anchor plates on the tonneau panel.

Engage the hood quarter-light clips in their retaining sockets on the body side panels and secure the four fasteners on each rear quarter panel. Pull the hood header rail forward and engage the toggle fastener tongues in their sockets on the windscreen frame. Check that the rubber sealing strip is correctly positioned forward of the windscreen frame, then fasten the toggle catches.

Move the rear stick back, and press down the connecting links. Secure the hood with the press stud fasteners on the windscreen pillars and hood frame.

Fig. 4

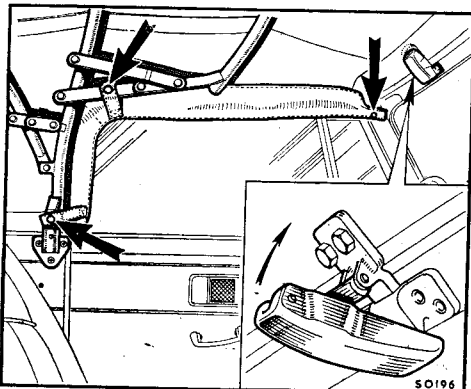
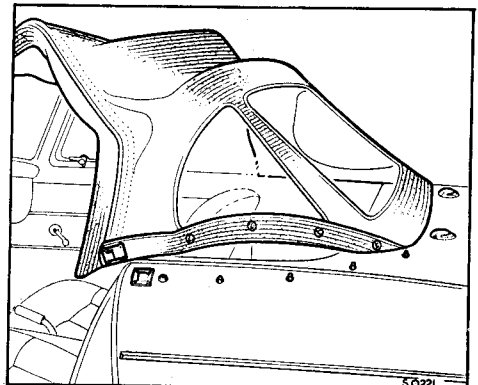


Fig. 5



Body Fittings

Optional hood **Lowering the hood.** Detach the seat belts from their quick-release fasteners on the tonneau panel. Release the press stud fasteners from the windscreen pillars, hood frame, and hood hinge plates (Fig. 8).

Move the sun visors to one side.

Release the windscreen frame toggle catches (inset, Fig. 8).

Release the four fasteners from each rear quarter panel, pull the hood slightly forward to disengage the clips from the sockets on the body side panels.

Move the seats forward, release the operating lever and incline the squabs towards the front of the car.

From inside the car, pull the header rail back sufficiently to allow the hood rear rail to be disengaged from the slotted anchor plates on the tonneau panel (see Fig. 9).

Fold the quarter-lights onto the back-light, ensuring that the folds are formed in the hood material, then continue the folds along the hood forward to the header rail (Fig. 10).

Push the hinge links inwards and at the same time pull the front frame stick rearwards, then pull the header rail towards the rear keeping the hood material clear of the frame.

As the frame is collapsed into the rear cockpit allow the back-light and hood material to pass down onto the rear seat.

Roll up the back-light and quarter-lights, folding the hood material to protect it.

Secure the hood with the straps attached to the rear cockpit panel and fit the hood cover.

Return the sun visors to the normal position, and secure in their retaining clips.

Fig. 6

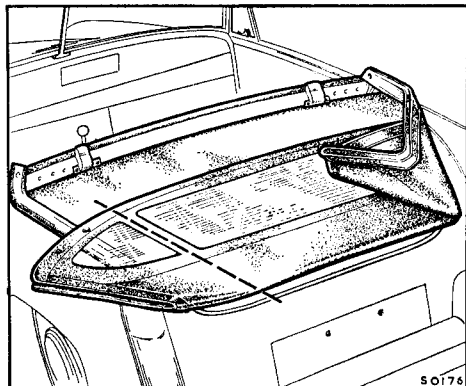
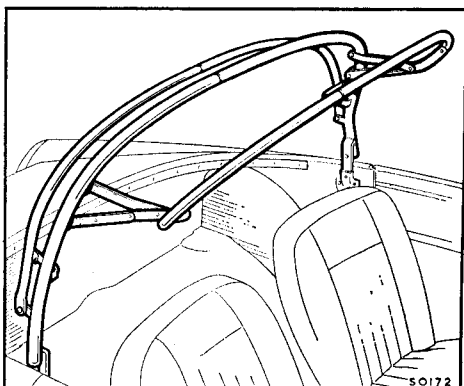


Fig. 7



Fitting the hood cover. Assemble the tonneau rail and fit it into the hood support sockets with the cross-rod towards the rear (Fig. 11).

Lay the hood cover over the tonneau rail and pass the seat belt quick-release fasteners through the holes in the cover. Engage the rear edge retainer with the two slotted anchor plates on the tonneau panel. Engage the hood cover clips with their sockets on the body side panels and secure the four fasteners on each rear quarter panel. Secure the press-stud fasteners on the rear cockpit side panels. Attach the seat belts to their quick-release fasteners on the tonneau panel.

Removing the hood cover. Reverse the fitting procedure.

Raising the hood. Move the seats forward. Release the hood securing straps, and lift the hood header rail upwards from the rear cockpit.

Pull the rear of the hood back allowing the back-light to rest on the tonneau panel and unfold the quarter-lights. Engage the hood rear rail with the slotted anchor plates on the tonneau panel. Move the header rail forward to an approximately half-way position. Return the seats to a normal position. Engage the hood quarter-light clips in their retaining sockets on the body side panels.

From inside the car move the header rail upwards; at the same time assist the extension of the frame hinge links by pressing outwards on the link hinges and forward on the front frame stick. Straighten the hinge links, and pull the header rail fully forward after first moving the sun visors to one side.

Engage the toggle fastener tongues in their sockets on the windscreen frame, check that the rubber sealing strip is correctly positioned forward of the windscreen frame, and then fasten the toggle catches. Return the sun visors to a normal position, and secure in the retaining clips. Secure the press-stud fasteners to the windscreen pillars, hood frame, and hood hinge plates. Attach the seat belts to their quick-release fasteners on the tonneau panel. Secure the four fasteners on each rear quarter panel.

Fig. 8

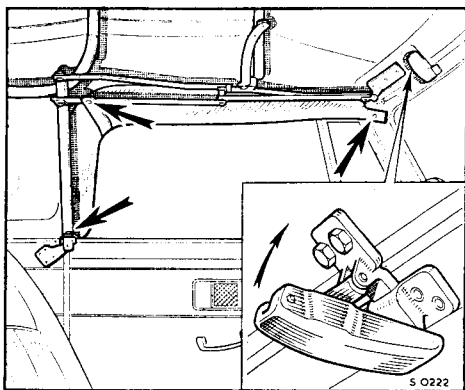
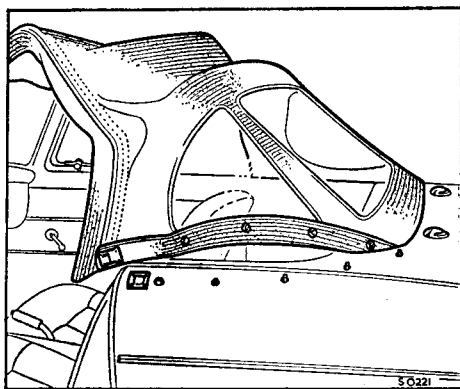


Fig. 9



Body Fittings

Stowage Stowage bags are provided to protect the components of the hood and covers when not in use. The tonneau rail (1), standard hood canopy (2), hood frame (3), tonneau cover and hood cover (5), together with the tool bag (4), are stowed in the luggage compartment as illustrated and secured with the straps provided.

Fig. 12

Tonneau cover **Fitting.** Assemble the tonneau rail and fit it into the hood support brackets with the cross-rod towards the rear.

Fig. 13

Lay the tonneau cover over the cockpit, pass the seat belt quick-release fasteners through the holes in the cover.

Engage the rear edge retainer with the slotted plates on the tonneau panel, and secure to each quarter panel with the fasteners.

Extend the tonneau cover forward and attach the front of the cover to the fasteners on the fascia panel top and windscreen pillars.

Usage. The centre zip allows the cover to be folded down to give access to the driving seat or to both seats. Fold the cover down behind the seat and secure it with the fasteners on the flap to the heelboard. Attach the seat belts to their quick-release fasteners on the tonneau panel.

Removing. Reverse the fitting procedure.

Hard top **Fitting.** Remove the hood.

Fit the hard top side brackets into the hood support sockets and secure with the bolts and spring washers.

Position the hard top on the car, engaging the rear securing plates with the slotted anchor plates on the tonneau panel (inset, Fig. 14) ensuring that the sealing rubber does not foul the slots.

Fig. 10

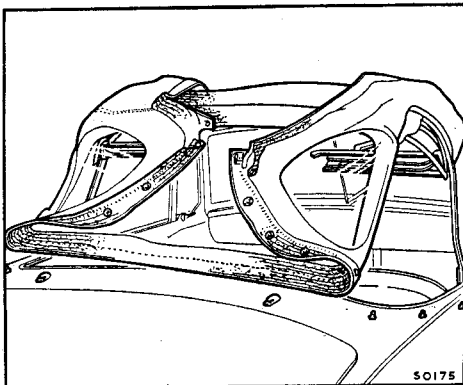
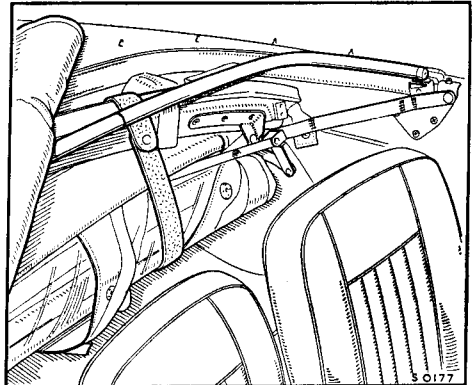


Fig. 11



Line up the hard top drip moulding with the rear wing top beading. Push the hard top forward and engage the toggle catch tongues in the sockets on the windscreen frame.

Fit the bolts into the side fixing brackets, screw in but do not tighten. Ensure that the front sealing rubber is correctly positioned forward of the windscreen frame. Adjust the toggle catches to give adequate tension when fastened; the securing bolt slots allow movement, tighten the securing bolts, fasten the catches and lock them with the securing clips (inset, Fig. 15).

Check that the sealing rubbers are correctly positioned, then slowly and evenly tighten the side fixing bolts until the hard top seals evenly to the body. **AVOID OVERTIGHTENING.** Measure the gap between the hard top and body side fixing brackets (arrowed, Fig. 14). Remove the bolts and fit washers between the brackets to the thickness of the gap. Refit and tighten the bolts.

Wind up both windows and check that a gap of approximately $\frac{5}{16}$ in. exists between the rear edge of the window and the hard top quarter channel. Adjust if necessary by loosening the side fixing bolts and repositioning the hard top.

Ensure that there is an adequate seal between the window and hard top rubber and that the doors, when opened with the windows up, do not foul the opening surround.

Remove. Unlock and release the windscreen toggle fasteners. Remove the side fixing bolts. Raise the front of the hard top to disengage the toggle fastener tongues from the windscreen sockets, move the hard top to the rear to disengage the anchor plates, then lift it clear of the car.

Remove the side fixing brackets from the hood support sockets.

Assemble the fittings loosely to the hard top to prevent loss.

Fig. 12

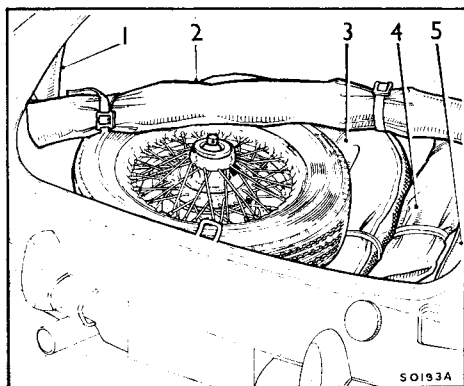


Fig. 13

